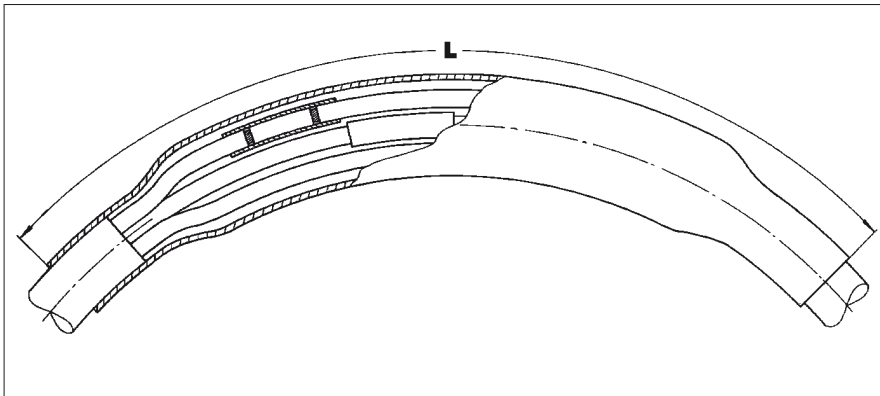


Joints for flexible, rubber insulated cables



Dimensions L, D see table

Cable

The joints are designed for flexible, rubber insulated cables with or without shield. The maximum number of cores is five.

For example: GTB, GTBa, MCCG, H07RN-F, H07RN-FF, KГ, КГН, КПГ, OnG, Ogek, OnGbekz..., CGSG, CGTU, CGGU, CGDU, EpN 53, EpN 55, EpN 61, EpN 62, EpN (BN)76, GN 50.

Design of joints

The connectors are insulated and sealed by flexible tubing which is pre-coated with a hot-melt adhesive. The outer protection and sealing is also performed by flexible, thick-wall heat-shrinkable tubing. The voids between the cores and the outer tubing are filled by flexible mastic. In case of shielded cables a copper mesh is wrapped around the mastic.

Unshielded flexible cables

Nominal voltage U_0/U (kV)	Cross section (mm ²)	Ordering description	Dimension (mm)	
			L	D
0,6/1	1,5– 2,5	EMKJ 0002	300	20
	4– 6	EMKJ 0004	350	28
	10– 16	EMKJ 0017	510	34
	25– 50	EMKJ 0027	560	55
	70–120	EMKJ 0037	740	78

Note: Connectors are not included.

Shielded flexible cables

Nominal voltage U_0/U (kV)	Cross section (mm ²)	Ordering description	Dimension (mm)	
			L	D
0,6/1	1,5– 2,5	EMKJ 0102	300	20
	4– 6	EMKJ 0104	350	25
	10– 16	EMKJ 0117	510	36
	25– 50	EMKJ 0127	560	60
	70–120	EMKJ 0137	740	84

Note: Connectors are not included.